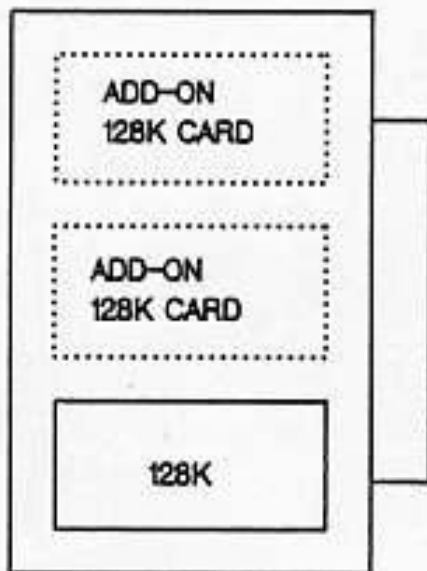


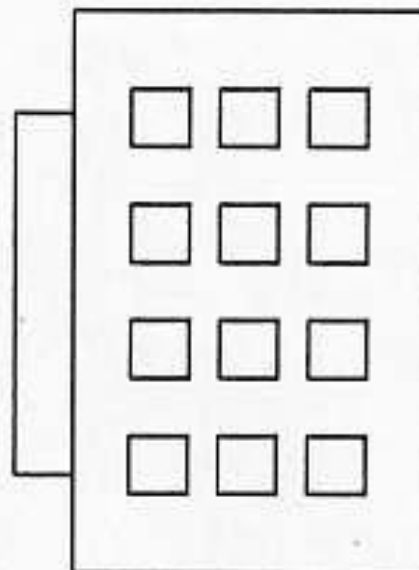
## EXPANSION DRAWERS

### Memory Drawer



Total RAM per drawer = 384K

### Software Drawer



Total ROMs per drawer = 12



## PORTABLE PLUS CONFIGURATION

### ROM DRAWER

### RAM DRAWER

2

0

- 24 Sockets for Software.
- 128 Kb RAM.
- Up to 3 Mb Software addressable

0

2

- No ROM based application.
- 896 Kb RAM.
- Memory limited to 512 Kb.

1

1

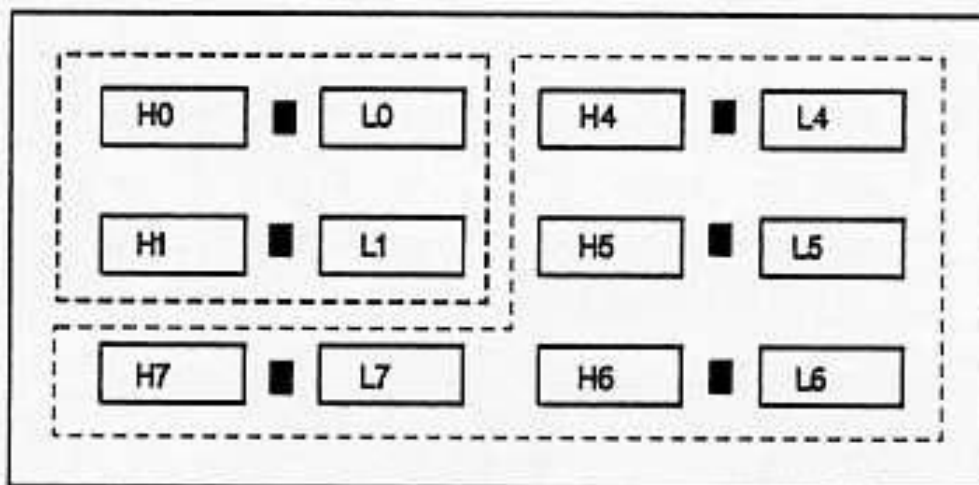
- Up to 1,5 Mb Software and 512 Kb RAM.

FORMULE +



HEWLETT  
PACKARD

## SOFTWARE DRAWER CONFIGURATION



----- Small group always two banks either ROM or Eproms.

----- Large group either four separated banks  
or one full bank (7)  
or two 128 Kb halfbanks.

\* For 94 Kb software, only 3 Eproms can be used.



## ROM / EPROM ORGANIZATION OPTION

### Software Package Size

### Typical Storage Option

#### ROM

#### EPROM

32K

1 hb 32 K ROM

1 hb 32 K EPROM

33-64K

1 hb 128 K ROM

2 fb or hb 32 K EPROMs

65-128K

1 hb 128 K ROM

3-4 hb 32 K EPROMs

129-256K

2 fb 128 K ROMS

5-8 fb 32 K EPROMs

257K +

Software packaged must be partitioned into 2 or more pseudo-independent packages, each  $\leq$  256K in size.

FORMULA +



HEWLETT  
PACKARD

## EXAMPLE ROM CONFIGURATION

### APPLICATION

Lotus 1-2-3

MS Word

PC 2622

Memomaker/Time Mgt

Basic

### SOCKETS

2

2

1

1

1

Total

---

7

Custom ROM Slots Available

5

FORMABLE +



HEWLETT  
PACKARD